

OPERATOR'S MANUAL

Carry-All Ejection Scraper



Put DIRT in its place.

MODEL
GCA550



Model 550

S/N

WELCOME: You are now the owner of one of the most versatile machines for landscaping, terracing and earth moving. In years to come, your farm or ranch operation will benefit from the efficiency, utility, and economy provided by the GARFIELD SCRAPER.

Please take time to be sure that you understand the proper maintenance and safe operation of this machine. Read this operator's manual carefully and you will get better results and service with fewer problems from your GARFIELD SCRAPER.

GARFIELD, INC., provides warranty on each new machine sold. Be sure to fill out the warranty card and return it to GARFIELD, INC., within ten (10) days after delivery of your machine to be eligible for this warranty. If you did not get a warranty card with your machine, contact your Dealer to receive one. The completed warranty card must be on file with GARFIELD, INC., ENID, OK before warranty claims will be honored. GARFIELD, INC. will not provide warranty on any machine that has been altered or used for something other than its intended use.

GARFIELD, INC. reserves the right to make any changes, or add improvements to its products at any time without incurring any obligation to make such changes on previously manufactured equipment.



SAFETY

- 1. Do not lubricate, adjust, or repair when machine is in motion.***
- 2. Follow all laws when transporting on highways.***
- 3. Never allow personnel to ride on machine.***
- 4. All hydraulically elevated components must be blocked to prevent accidental lowering or just be lowered to the ground when adjustment or repairs are made.***
- 5. Keep all personnel a way from machine while it is being operated or being cycled.***
- 6. Drive slowly over rough ground, side hills, and around curves.***
- 7. OSHA requires that as a farm employer you meet certain requirements. Become familiar with and comply with those requirements.***
- 8. Be certain anyone who operates this machine understands all safety related items.***
- 9. Should hydraulic hoses and/or fittings be accidentally damaged, replace those components immediately for safe operation. Never open hydraulic components under pressure.***
- 10. Always put transport lock in while traveling down the road.***



SERVICE, MAINTENANCE, AND OPERATION
Model 550

The machine should be greased every four hours or daily. Depending on usage.

There are twenty-four (24) different grease zerks on the machine. One on each cylinder pin. One on each of the rear frame pivot pins. Four on the push gate. Four on the guide rollers. One on the hitch. One on the ball and receiver. Two on the clam shell.

The wheel bearings should be repacked yearly.

Tire pressure should be checked and kept at minimum 50lbs. each.

Lug nuts should be checked periodically.

Garfield

OPERATION
Model 550

- 1. Hook up to the tractor, cycle all hydraulics, Be sure to remove transport locks by raising the scraper with your hydraulics before operating.***
- 2. There are two sets of hydraulic controls: The two center hoses control the raise and lower. The two outside hoses operate the clam and the pushgate. The clam will raise completely open, before the pushgate cylinders start pushing. You can level from 0 to 16 inches by adjusting the height of your scraper and then pushing out your load.***
- 3. Grease every 4 to 6 hours. There are 24 grease zerks on your 12-YD scraper. It is best to lower your scraper to ground level for greasing.***
- 4. Check air pressure in all tires. Should be a minimum of 50lbs. Lug bolts should be checked periodically.***



Under the conditions described herein GARFIELD, INC. will within 12 months from the date of purchase on agricultural designed the operated machinery, and 90 days for hire commercial machinery, supply or at GARFIELD'S option, repair any part manufactred and/or workmanship, upon receipt of the damaged part.

GARFIELD components manufactured by companies other than GARFIELD are warranted soley by those companies. Those components include but are not limited to tires, rims belts, hoses, and hydraulics.

GARFIELD will not warrant any part which in GARFIELD'S opinion has failed due to modifications, abuse, misuse, improper maintenance, or due to normal wear.

GARFIELD will pay no further expenses, including but not limited to transportation, labor and loss of time income, or crops.

This warranty is made expressly in place of all other guarantees or warranties, expressed or implied.



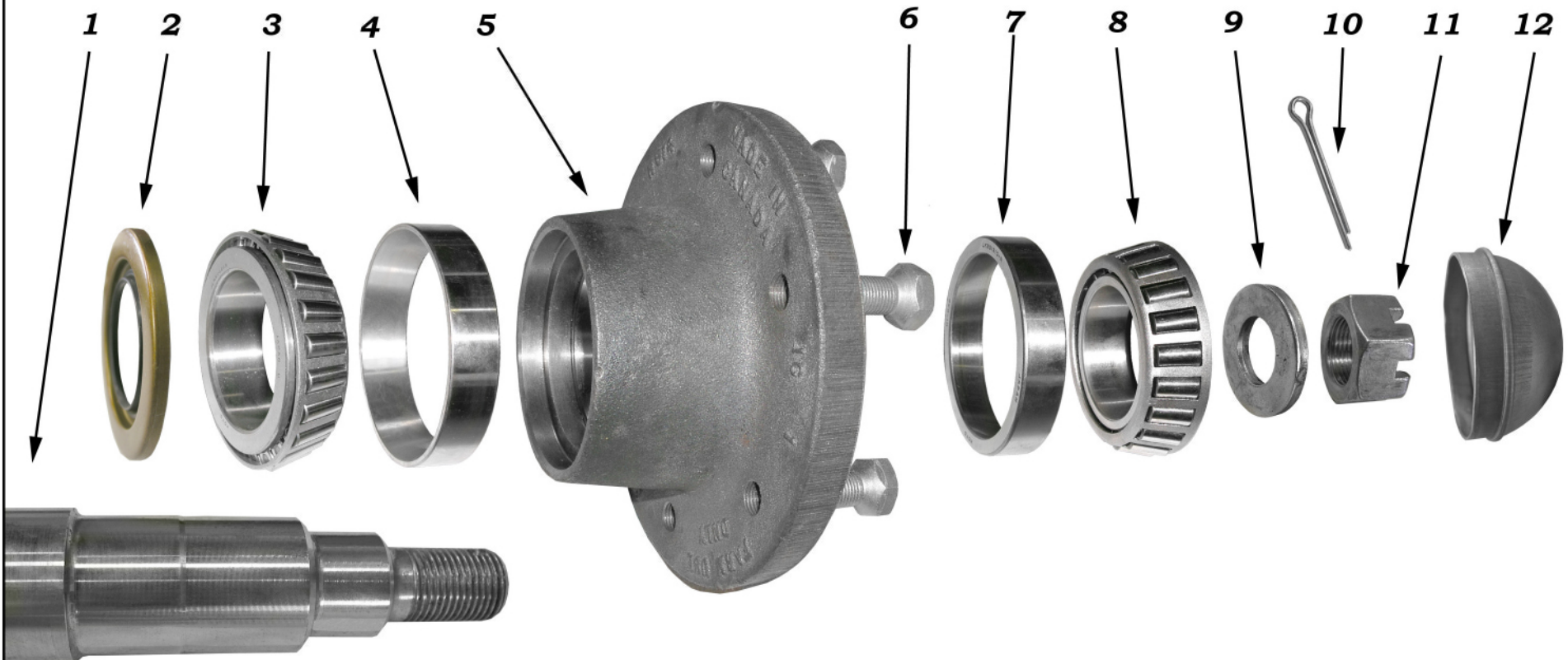
This manual is written as a guide for owners and operators of the GARFIELD equipment, read it carefully and follow the suggestions which are made. Keep this manual in a convenient place for quick, easy reference and use it whenever questions come up.

Fill in the following information now for future reference and convenience. Always give this information to your Dealer when ordering new parts, or asking for help. Your GARFIELD dealer is your primary source for information, however, if at any time it is necessary for you to write directly to GARFIELD, INC. for additional information, give the model and serial number of your machine and as much descriptive information as possible. This will help us to do a better job of solving your problem and/or getting parts to you.

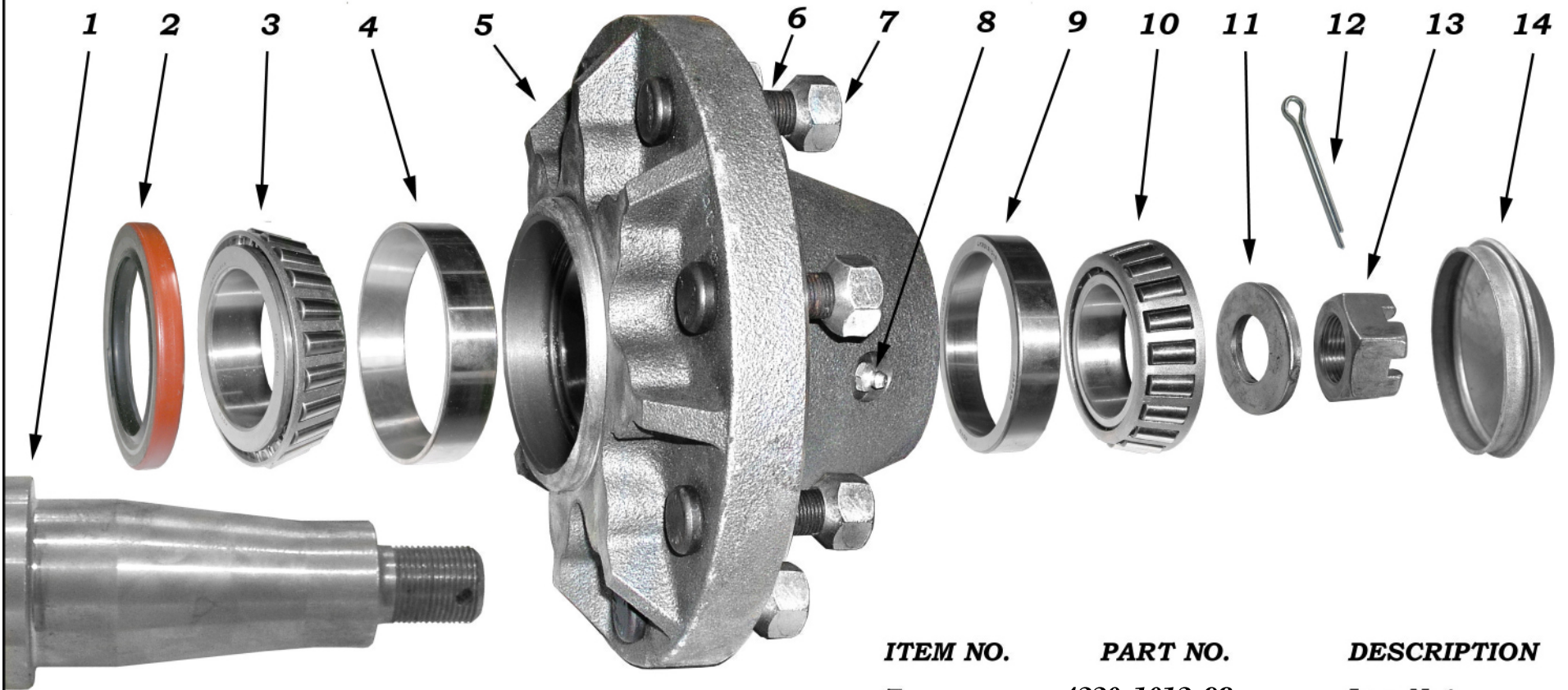
MODEL NO. **550** _____
SERIAL NO. _____
DATE OF PURCHASE _____
NAME AND ADDRESS _____

It is the policy of GARFIELD, INC. to make improvements on our product. GARFIELD, INC. reserves the right to make these improvements without incurring any obligation to those machines already in the field. Years of research and development combined with experience gained through close contact with operators has been drawn upon designing your products.

GARFIELD, INC.
500 W. SOUTHGATE
ENID, OK 73703
580-233-1410
800-382-4478

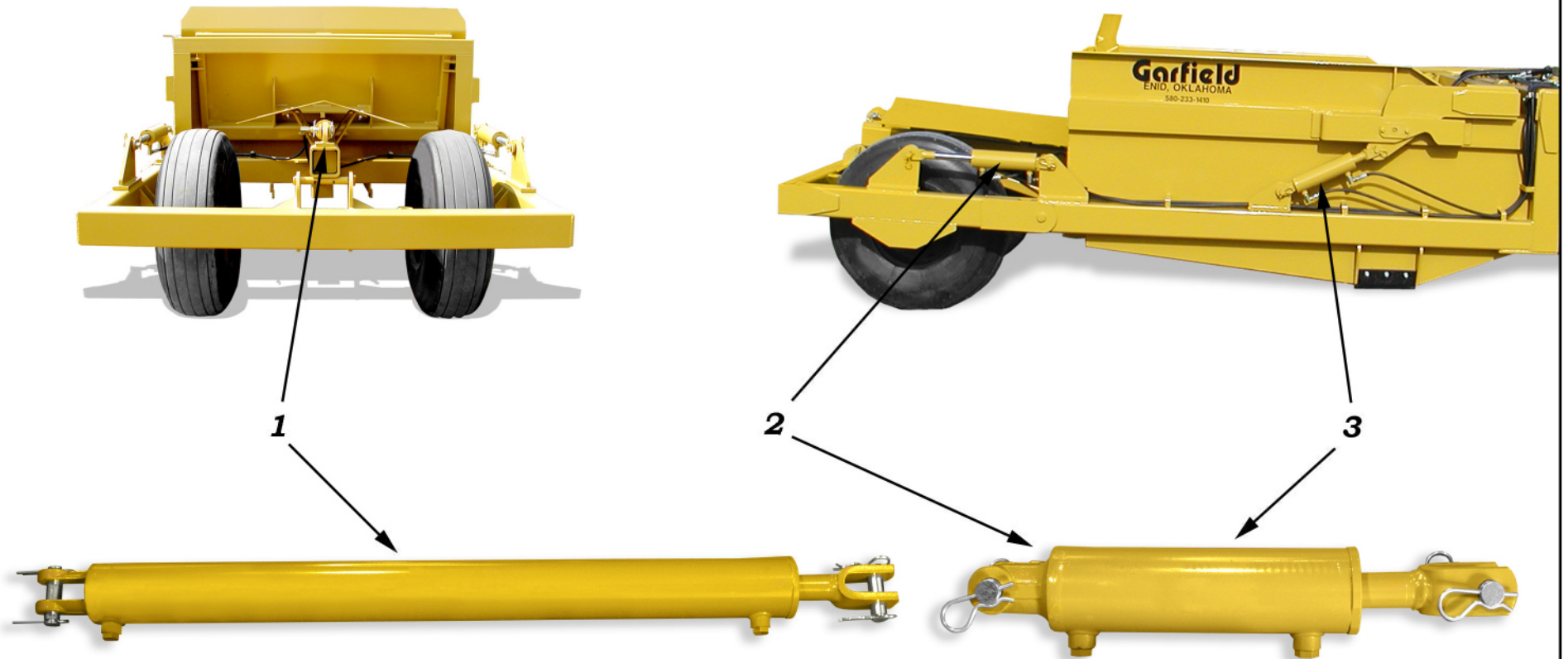


ITEM NO.	PART NO.	DESCRIPTION	ITEM NO.	PART NO.	DESCRIPTION
1	4470-6204-00	Spindle	7	4150-7480-00	Outer Race
2	4130-5090-01	Seal	8	4150-1480-00	Outer Bearing
3	4150-1916-00	Inner Bearing	9	4240-1032-04	Washer
4	4150-7916-00	Inner Race	10	4260-1100-01	Cotter Pin
5	4190-0015-25	Hub, 6-Bolt	11	4220-1019-26	Spindle Nut
6	4210-1318-95	Stud Bolt	12	4330-3044-01	Dust Cap



ITEM NO.	PART NO.	DESCRIPTION
1	4470-6105-00	Spindle
2	4130-5090-01	Seal
3	4150-1948-00	Inner Bearing
4	4150-7948-00	Inner Race
5	4190-0012-25	Hub
6	4210-1378-96	Stud

ITEM NO.	PART NO.	DESCRIPTION
7	4220-1012-98	Lug Nut
8	4180-1030-14	Grease Zerk
9	4150-7638-00	Outer Race
10	4150-1782-00	Outer Bearing
11	4240-1033-06	Washer
12	4260-1123-01	Cotter Pin
13	4220-1017-26	Spindle Nut
14	4330-3046-01	Dust Cap
15	4190-0012-25	Hub Assembly



**ITEM
NO.**

**PART
NO.**

DESCRIPTION

1

4110-4050-01

Cylinder, Rear Push Gate

2

4110-4045-01

Cylinder, Raise and Lower

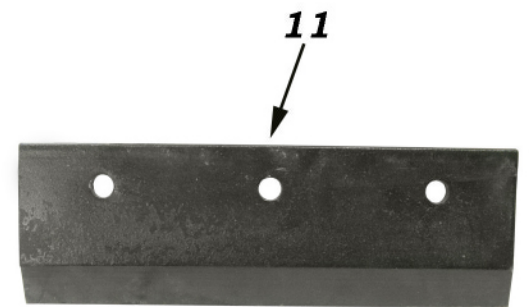
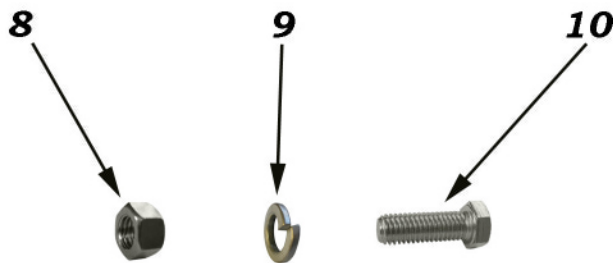
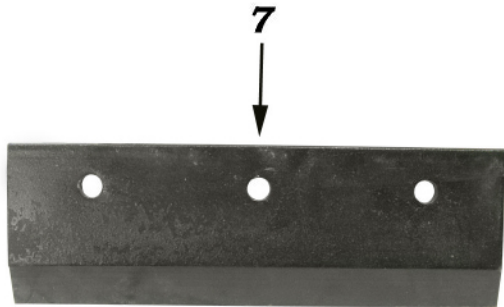
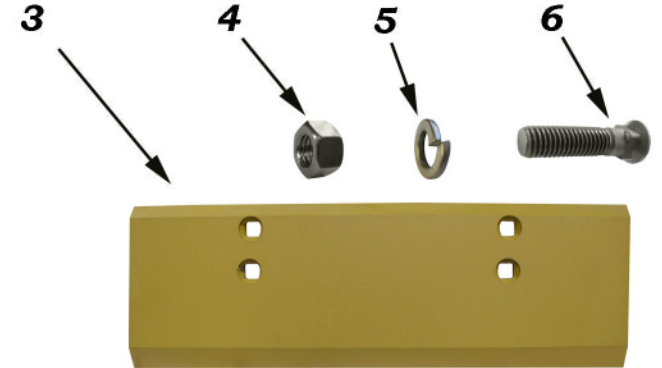
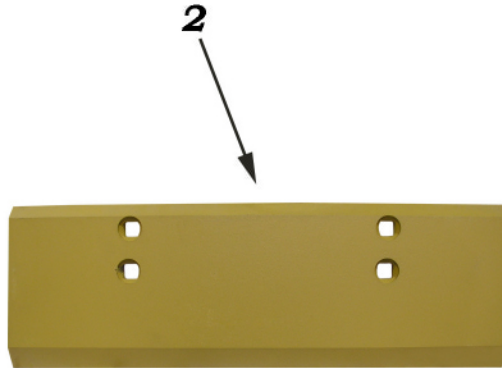
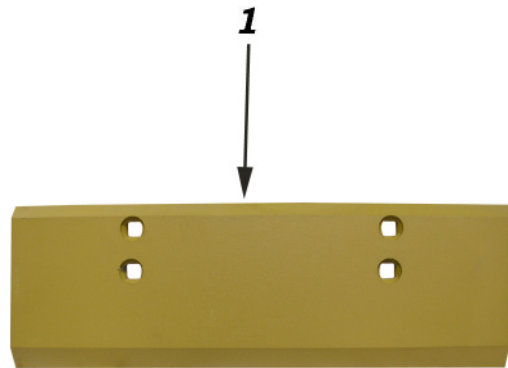
3

4110-4045-01

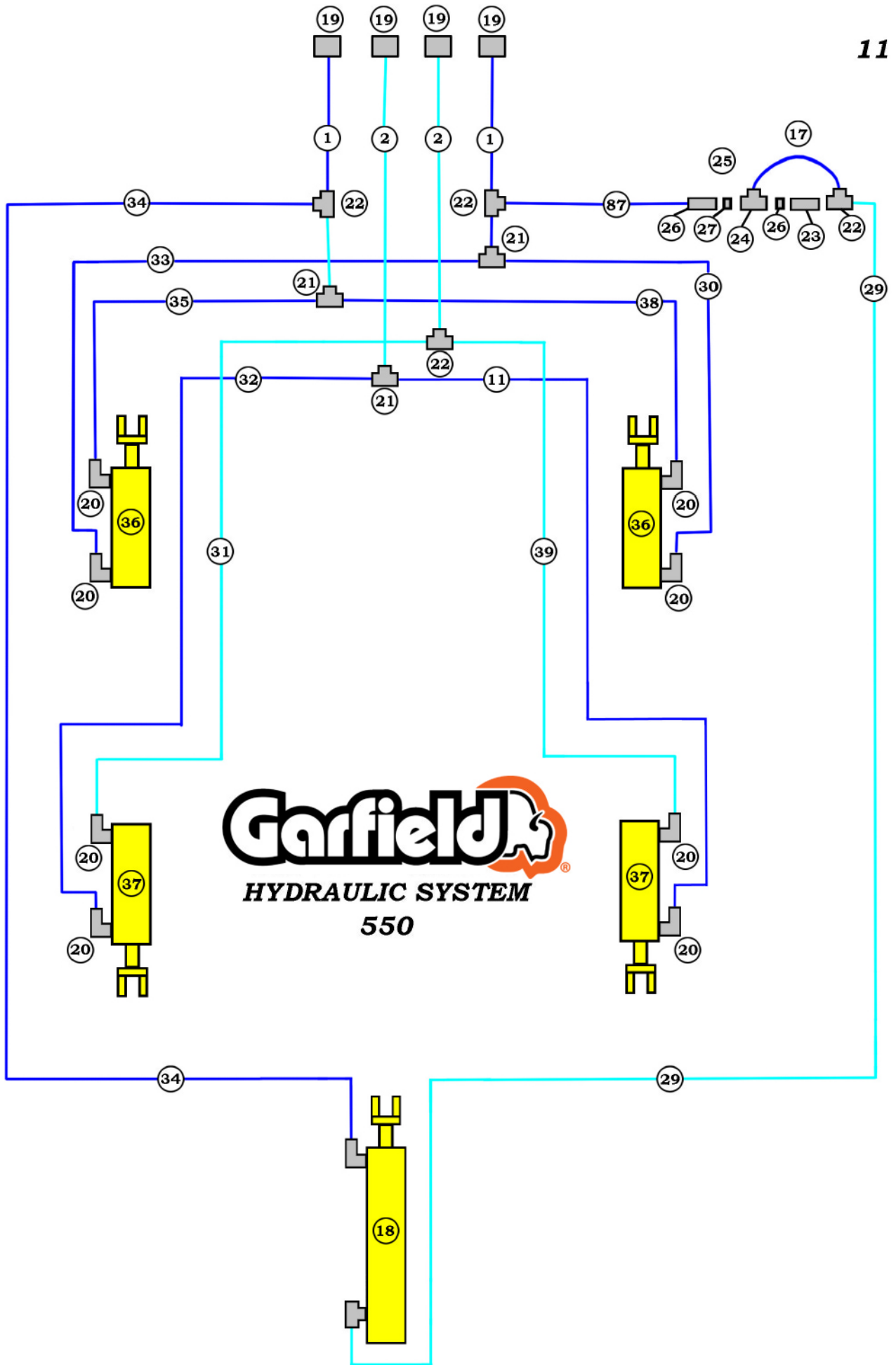
Cylinder, Front Lift Gate



Replacable Blades, 5YD

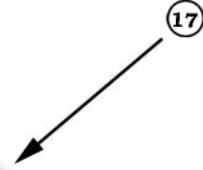


ITEM NO.	PART NO.	DESCRIPTION	ITEM NO.	PART NO.	DESCRIPTION
1	4370-1315-00	Blade 3/4x8x24	7	4370-1340-00	Side Wear Blade
2	4370-1315-00	Blade 3/4x8x24	8	4220-1008-01	Nut 1/2
3	4370-1315-00	Blade 3/4x8x24	9	4250-1024-01	Lock Washer 1/2
4	4220-1012-01	Nut 5/8	10	4210-5258-01	Bolt 1/2x1- 3/4
5	4250-1028-01	Lock Washer 5/8	11	4370-1340-00	Side Wear Blade
6	4210-8384-11	Bolt 5/8x3			



Garfield®

HYDRAULIC PARTS
550

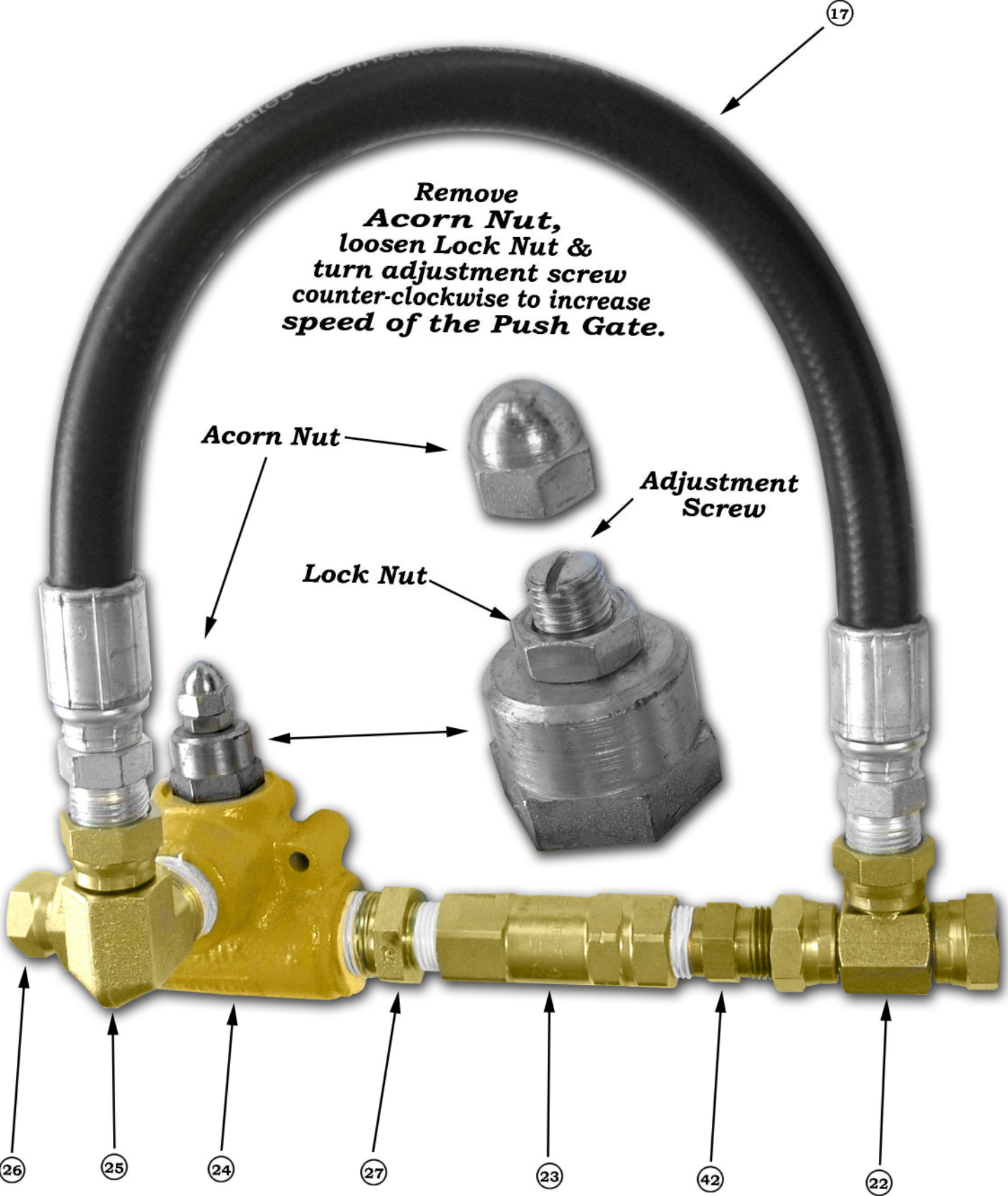


**Remove
Acorn Nut,
loosen Lock Nut &
turn adjustment screw
counter-clockwise to increase
speed of the Push Gate.**

Acorn Nut

Adjustment
Screw

Lock Nut



26

25

24

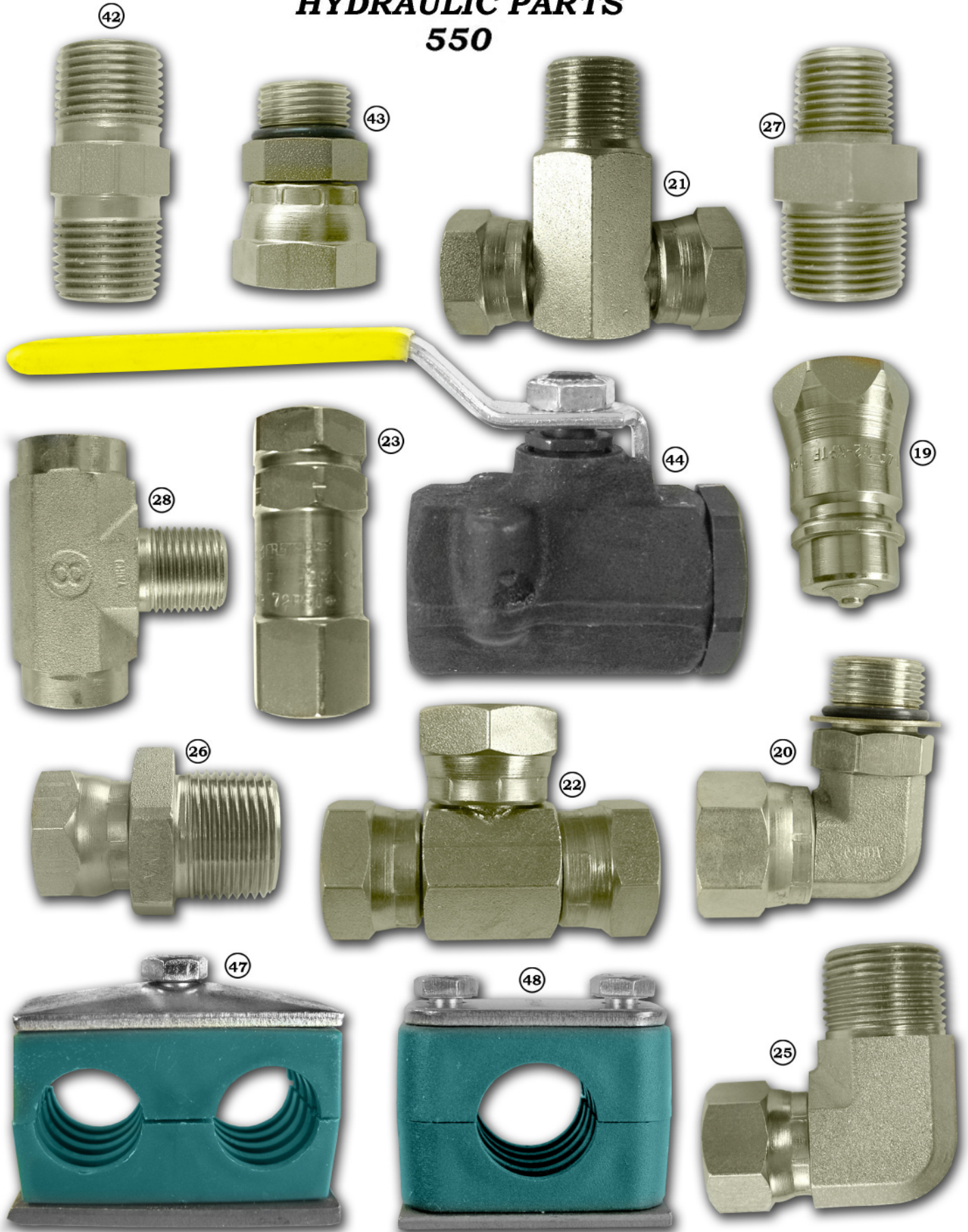
27

23

42

22

HYDRAULIC PARTS 550





HYDRAULIC PARTS 550

1. **HS38X133** _____ **Hose, 3/8 x 133**
2. **HS38X150** _____ **Hose, 3/8 x 150**
11. **HS38X177** _____ **Hose, 1/2 x 177**
17. **HS38X20** _____ **Hose, 3/8 x 20**
18. **4110-4050-01** _____ **Cylinder, 3 x 36 x 1 1/2**
19. **4110-6012-00** _____ **Pioneer, 1/2 Female, WCP80-8**
20. **4120-1168-20** _____ **90 Degree, 1/2 M x 1/2 FM Swivel**
21. **4120-1019-15** _____ **Tee, FM 1/2**
22. **HTF12** _____ **Tee, FM 1/2**
23. **4110-6020-01** _____ **Check Valve**
24. **4110-3050-01** _____ **Relief Valve**
25. **4120-1172-20** _____ **90 Degree x 3/4MP x 1/2FM Swivel**
26. **4120-1018-20** _____ **3/4M x 1/2FM Swivel**
27. **HM1234** _____ **Adapter, 3/4MP x 1/2MP**
28. **4120-1019-15** _____ **Adapter, 1/2MP x 1/2FP Tee**
29. **HS38X204** _____ **Hose, 3/8 x 204**
30. **HS38X108** _____ **Hose, 3/8 x 108**
31. **HS38X170** _____ **Hose, 3/8 x 170**
32. **HS38X177** _____ **Hose, 3/8 x 177**
33. **HS38X108** _____ **Hose, 3/8 x 108**
34. **HS38X198** _____ **Hose, 3/8 x 198**
35. **HS38X105** _____ **Hose, 3/8 x 105**
36. **4110-4045-01** _____ **Cylinder, 3 x 8 x 1 1/2 Raise & Lower**
37. **4110-4045-01** _____ **Cylinder, 3 x 8 x 1 1/2 Lift Gate**
38. **HS38X105** _____ **Hose, 3/8x 105**
39. **HS38X170** _____ **Hose, 3/8 x 170**
44. **4110-8020-00** _____ **Ball Valve, 1/2 Carbon Steel**
45. **HTCT34** _____ **Hyd. Tube Clamp, Twin 3/4ID for 3/8 hose**
46. **HTCS34** _____ **Hyd. Tube Clamp, Single 3/4ID for 3/8 hose**
47. **4290-3020-05** _____ **Hyd. Tube Clamp, Twin 7/8ID for 1/2 hose**
48. **4290-3010-05** _____ **Hyd. Tube Clamp, Single 7/8ID for 1/2 hose**
87. **HS38X30** _____ **Hose, 3/8 x 30**